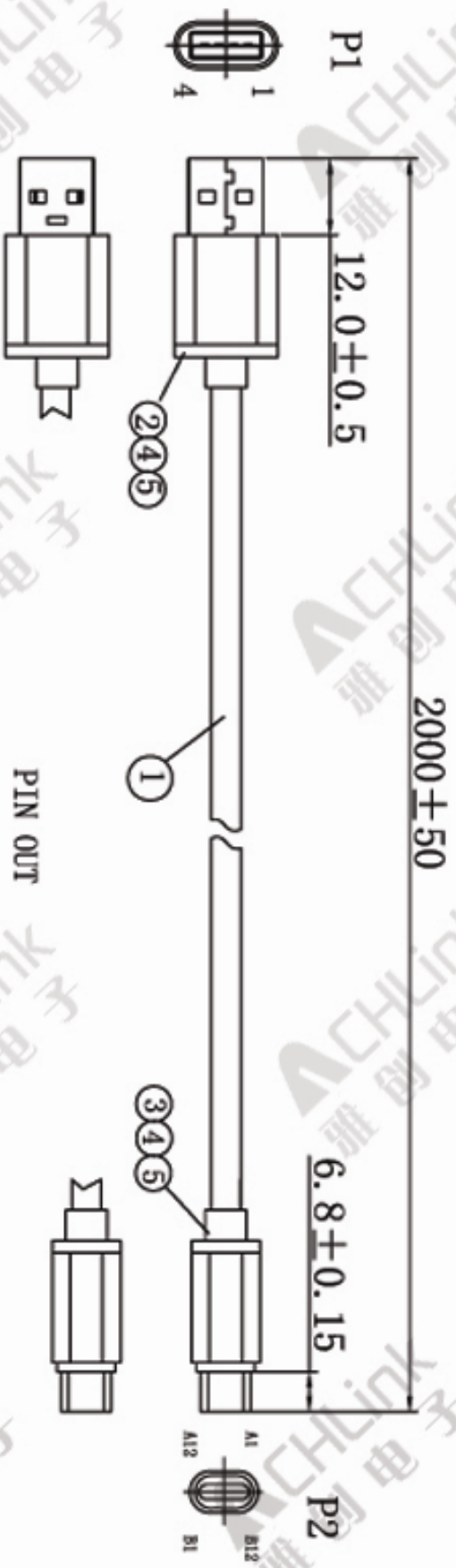


REV	DESCRIPTION	DATE

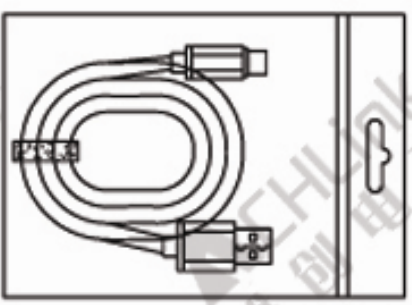


1. TESTING CONDITIONS:
A. 100% QC OPEN SHORT & MISS WIRING TEST
B. INSULATION RESISTANCE: DC300V 5Mohm MIN
C. CONDUCTOR RESISTANCE 3ohm Max

Mould No. : P1:B2322 P2:B356

PIN OUT

P1	1	Red	P2	A4, B4, A9, B9
	2	White		A7
	3	Green		A6
	4	Black		A1, B1, A12, B12
		shell		shell



⑧	IPC	Carton 460*300*250mm	F06-403025-001
⑦	IPC	PE Transparent Heat Sealing Plastic Bags : 270*450*0.05mm	F05-273505-002
⑥	IPC	Ordinary band Black	F01-080000-004
⑤	A/R	Aluminium alloy shell	P2-1500-001
④	A/R	PVC 50P-80 Black	P1-0445-001
③	IPC	USB Type-C with PCB Board 2.0 Stretching	C211-0204-010
②	IPC	USB 3.0 AM Short body white rubber core	C241-0405-001
①	IPC	UL2725+284MG (7/0.12TC) *2P+224MG (17/0.16TC) *2C+80B/0.10T0CS+4E (7/0.100C) 004.2mm PPLine up L-2000mm	X275-041238-641
NO	Dosage	Description	Part No

APPROVED:		UNLESS OTHERWISE SPECIFIED TOLERANCE	
CHECKED:		X.X ± 0.20	
DRAWN:	1cy	X.XX ± 0.15	
UNIT	mm		
REV	2017-02-20		
CUSTOMER NO:			
PRODUCT NO:			
CUSTOMER P/N:			

ACH TECHNIQUE TECHNOLOGY SOLUTIONS LIMITED
TEL: 0755-88210101 FAX: 0755-88210123

DRAWN NAME: USB3.0 AM TO Type-C M L-2000mm